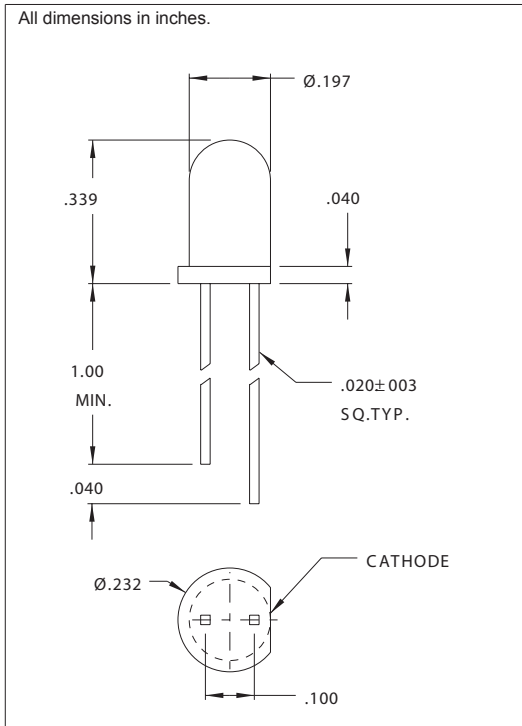


T-1 3/4 Super Brite LED Lamps

Description and Features



These T-1 3/4 LED lamps, available in both diffused and non-diffused packages, provide exceptional luminous intensity when compared to conventional LED lamps. Luminous intensities as high as 2000 millicandela are available making these lamps excellent indicators in high ambient lighting conditions. These lamps utilize improved GaP and GaAlAs technologies.

- RoHS Compliant

Electro-Optical Characteristics and Ratings

Part Number	Emitted Color	Lens Color	Package Type	Luminous Intensity		Forward Voltage		Viewing Angle (degrees)	Peak Wavelength (nm)
				Min. (mcd)	Typ. (mcd)	Typ. (V)	Max. (V)		
CMD333UGD	Green	Green	Diffused	100.0	160.0	2.1	2.8	40	565
CMD333HRD-1	Red	Red	Diffused	100.0	180.0	1.7	2.4	40	660
CMD333HRD-3	Red	Red	Diffused	160.0	300.0	1.7	2.4	40	660
CMD333HRC-6	Red	Clear	Non-Diffused	250.0	600.0	1.7	2.4	24	660
CMD333URC-2	Red	Clear	Non-Diffused	1000.0	2000.0	1.7	2.4	24	660

Absolute Maximum Ratings

	Red	Green	Units
Power Dissipation.....	110	100	mW
Operating/Storage Temperature.....	-40 to +85	-40 to +85	°C
Peak Forward Current (1µs @ 0.3% duty cycle).....	150	150	mA
Reverse Voltage (IR=100µA).....	5.0	5.0	V
Forward Current.....	30	30	mA
Lead Solder Time at 260°C.....	5	5	seconds